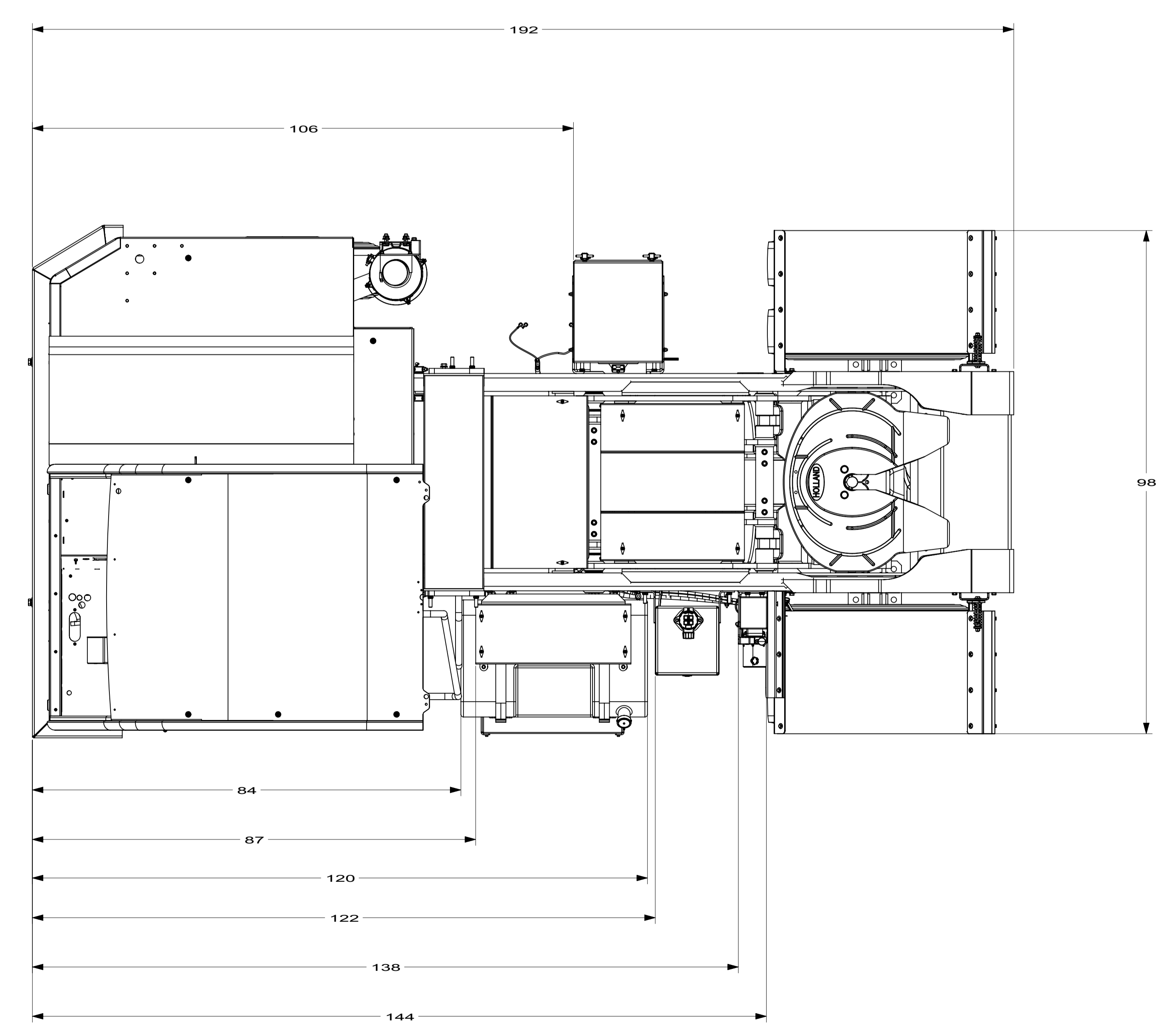
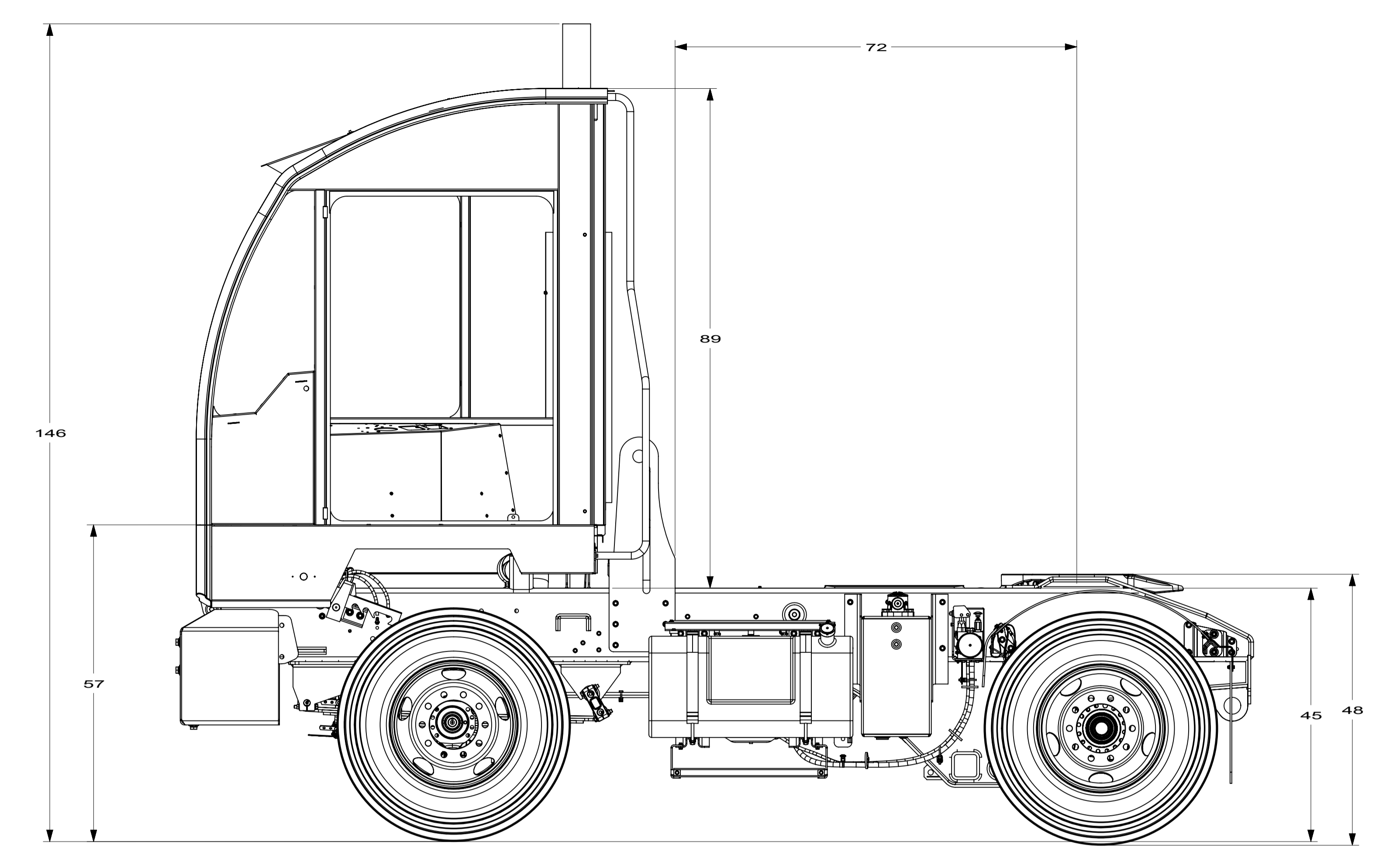
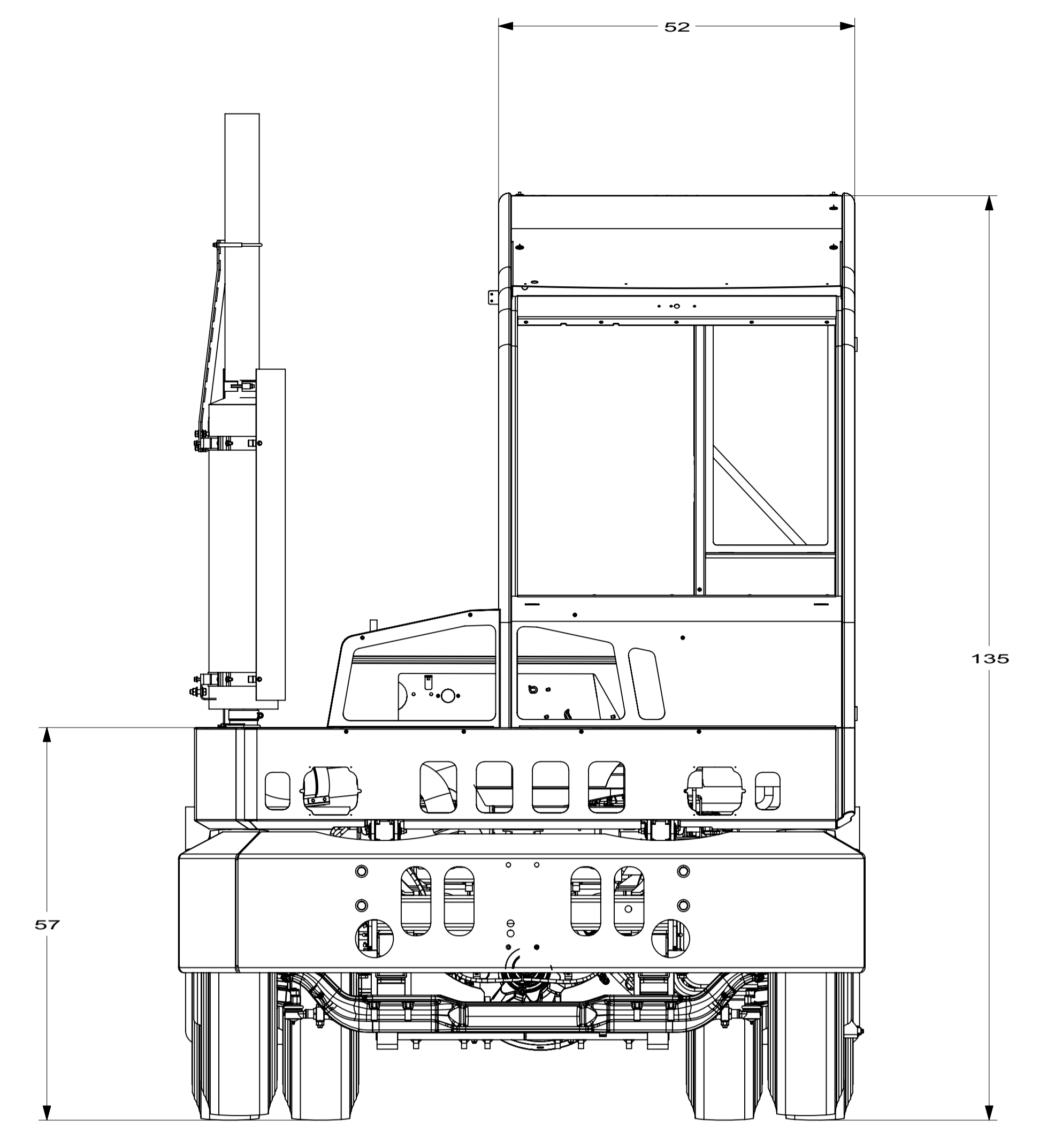
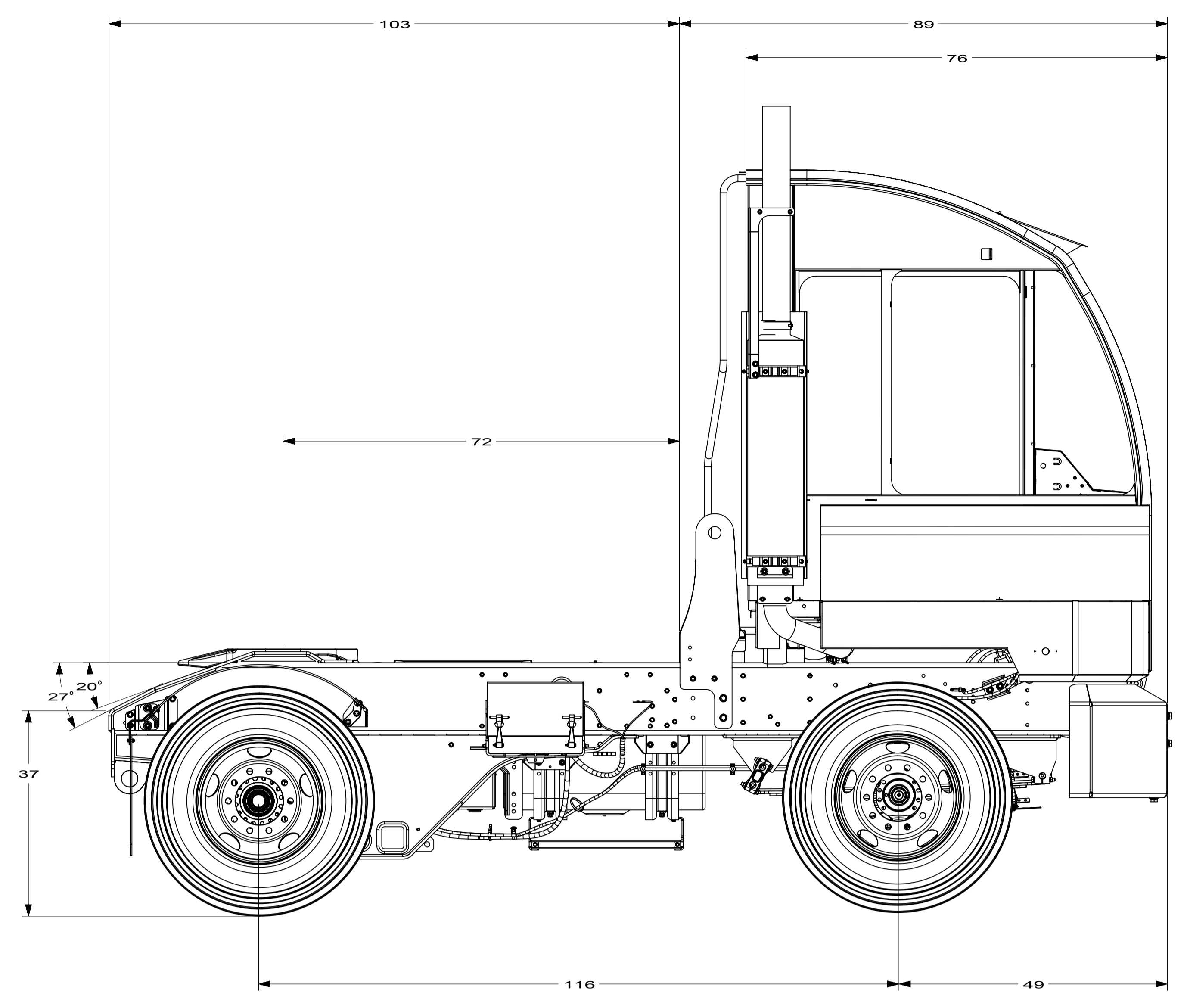


SH	ZONE	ID	REV	REVISION HISTORY	
1	A1	000	ENGINEERING RELEASE		



CRITICAL	NO				
GD&T STANDARD		THIS DRAWING, ELECTRONIC FILE AND/OR SPECIFICATIONS ARE THE PROPERTY OF AUTOCAR, LLC. THE DESIGNS AND IDEAS EXPRESSED THEREIN ARE TO BE MAINTAINED IN STRICT CONFIDENCE AND SHALL NOT BE DISCUSSED, DISSEMINATED OR COPIED IN ANY MANNER, EITHER IN WHOLE OR IN PART, WITHOUT THE WRITTEN CONSENT OF AUTOCAR, LLC. THIS DRAWING IS TO BE RETURNED TO AUTOCAR, LLC UPON DEMAND.			
ASME Y14.5M-1994		UNLESS OTHERWISE SPEC'D			
DIMENSIONS ARE:		MM		MATERIAL	
TOLERANCES ARE:				TREATMENT	
X = ±1				NA	
X.X = ±0.5				NA	
X.XX = ±0.1				NA	
X.XXX = ±0.05				NA	
X.XX' = ±1"				NA	
X.XXX' = ±0.5"				NA	
THIRD ANGLE PROJECTION	CHECKED BY	APPROVED BY	CAD	SCALE	DOCUMENT SIZE
	DOLESH	DOLESH	NX6	1:15	A0
	DRAWING BY	AES FLAG	DRAWING DATE		
	BRAND	PASS	2014JUN02		
DOCUMENT NAME					
AUTOCAR 4X2 QSB NON DOT					
DOCUMENT NUMBER					
JO_ACTT4X2_PRC_DOC 1 OF 1					

DO NOT SCALE DRAWING

TEAMCENTER LIFE CYCLE INFORMATION